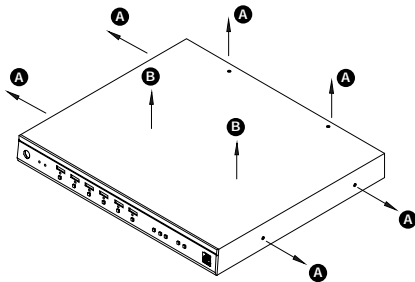


# Installing the RVL-6 RMP

## Step 1

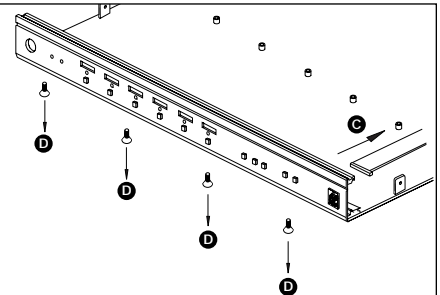
**CAUTION! Unit must be unplugged before cover is removed**

- A:** Remove screws from the RVL-6 chassis
- B:** Raise the cover off of the unit



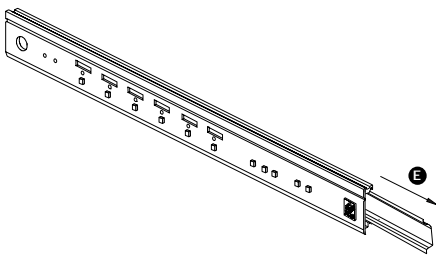
## Step 2

- C:** Unplug the ribbon connector, pull away from the front panel
- D:** Remove screws from the bottom of the front panel and detach from chassis



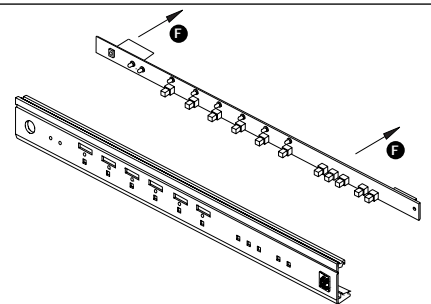
## Step 3

- E:** Slide out the plastic retainer



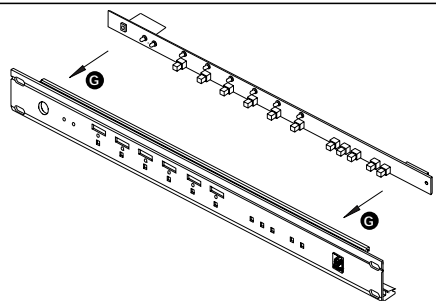
## Step 4

- F:** Pull the circuit board away from the front panel



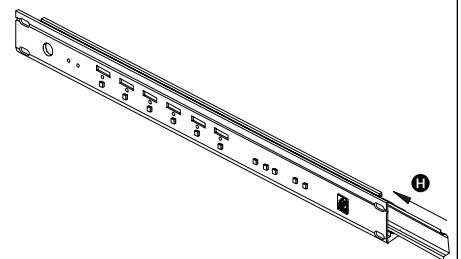
## Step 5

- G:** Gently line up and place circuit board with the rack-mount panel



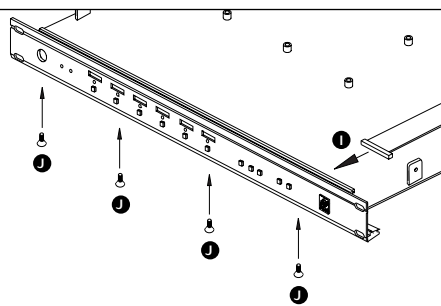
## Step 6

- H:** Slide the plastic retainer back into place



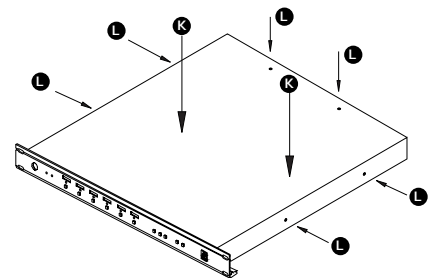
## Step 7

- I:** Plug in the ribbon connector
- J:** Replace the screws to the bottom of the rack-mount panel



## Step 8

- K:** Replace the cover onto the unit
- L:** Replace the screws to the RVL-6 cover



**Niles Audio Corporation** 12331 SW 130th Street Miami, Florida 33186 Tel: (305) 238-4373 Fax: (305) 238-0185

© 1999 Niles Audio Corporation. All rights reserved. Because Niles constantly strives to improve the quality of its products, Niles reserves the right to change product specifications without notice. Niles and the Niles logo are registered trademarks of Niles Audio Corporation. Printed in the USA 5/96 DS00171A [www.nilesaudio.com](http://www.nilesaudio.com)